

# RNAV (GPS) RWY 25

VIDALIA RGNL (VDI)

WAAS CH <b>69609</b> <b>W25A</b>	APP CRS <b>249°</b>	Rwy Idg TDZE Apt Elev	<b>6002</b> <b>273</b> <b>274</b>
--	------------------------	-----------------------------	---

RNP APCH - GPS.

**▼** Circling Rwy 32 NA at night. For uncompensated Baro-VNAV systems, LNAV/VNAV NA below -15°C or above 54°C. For inop ALS, increase LNAV/VNAV all Cats visibility to ¾ SM and LNAV Cat C/D to 1 ½ SM.

MALSR

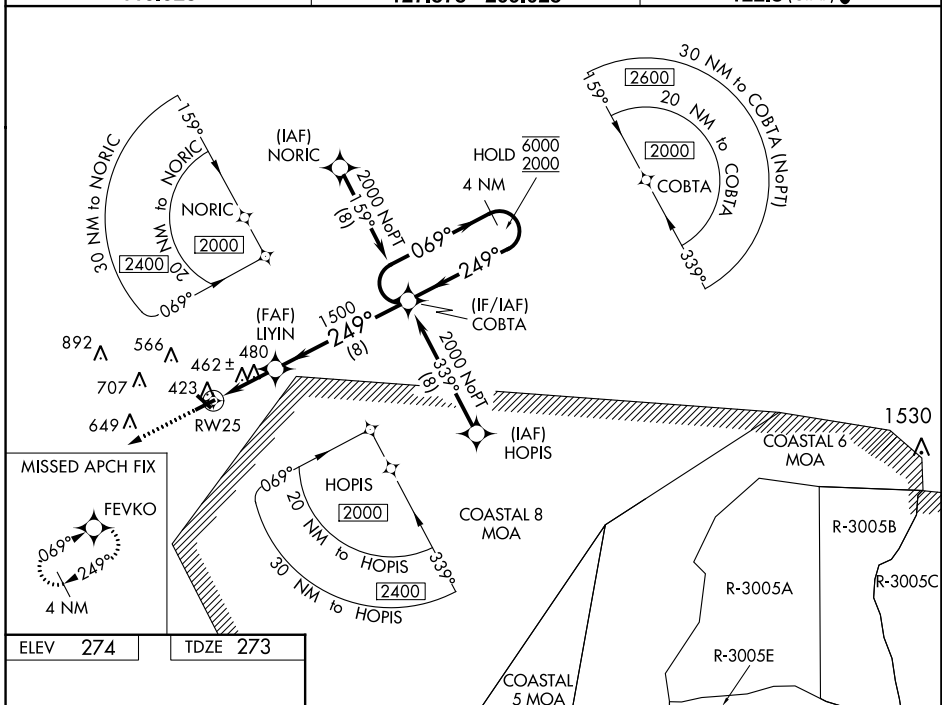


MISSED APPROACH:  
Climb to 2000 direct FEVKO and hold.

AWOS-3  
**119.925**

JACKSONVILLE CENTER  
**127.575 269.025**

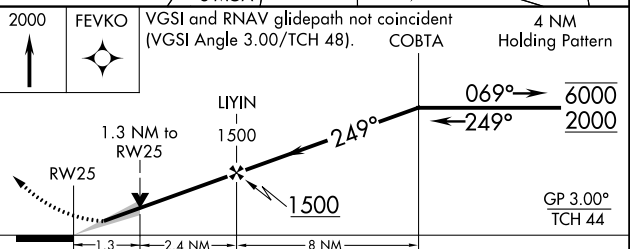
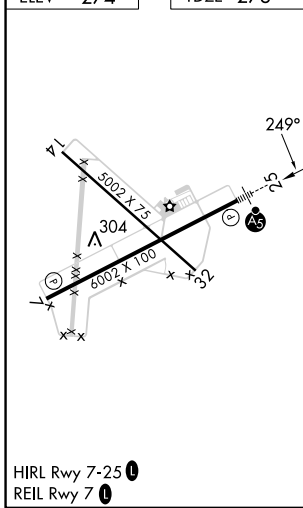
UNICOM  
**122.8 (CTAF) 0**



SE-4, 22 FEB 2024 to 21 MAR 2024

SE-4, 22 FEB 2024 to 21 MAR 2024

ELEV 274 TDZE 273



CATEGORY	A	B	C	D
LPV DA	473-½		200 (200-½)	
LNAV/VNAV DA	584-½		311 (400-½)	
LNAV MDA	740-½ 467 (500-½)		740-1 467 (500-1)	
<b>C</b> CIRCLING	740-1 466 (500-1)		920-1¾ 1060-2½ 646 (700-1¾) 786 (800-2½)	