

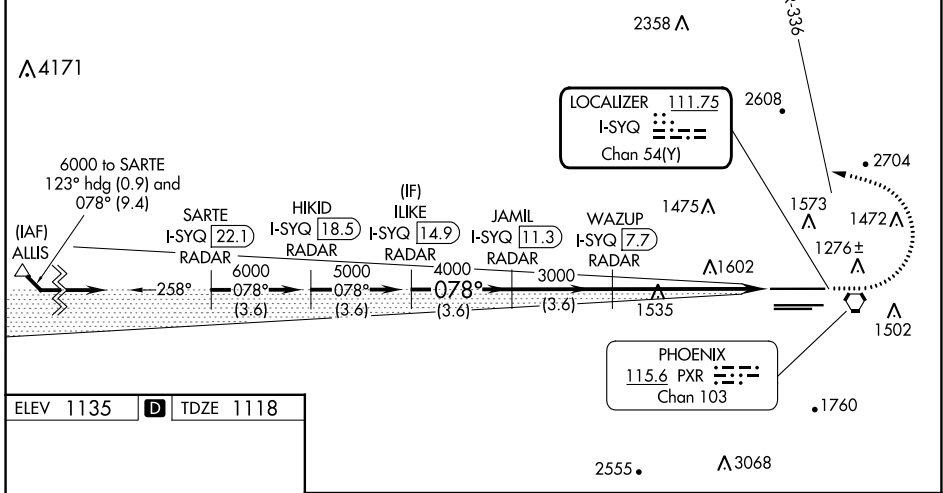
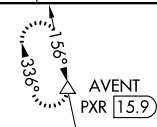
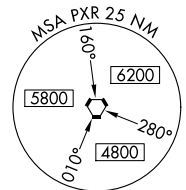
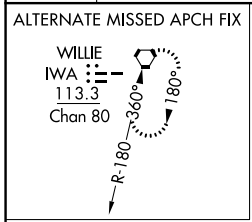
LOC/DME I-SYQ <b>111.75</b> Chan <b>54 (Y)</b>	APP CRS <b>078°</b>	Rwy ldg <b>10591</b> TDZE <b>1118</b> Apt Elev <b>1135</b>
--	------------------------	--

# ILS or LOC RWY 8

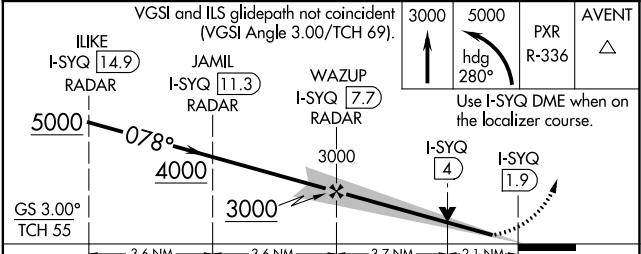
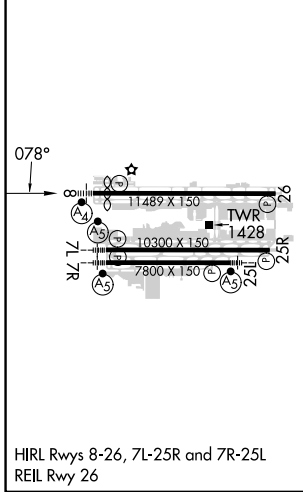
PHOENIX SKY HARBOR INTL (PHX)

DME or RADAR required.	MALSIF 	MISSED APPROACH: Climb to 3000 then climbing left turn to 5000 on heading 280° and PXR VORTAC R-336 to AVENT INT/15.9 DME and hold.
Autopilot coupled approach NA below 1307 MSL. Inop table does not apply to S-ILS 8. Simultaneous approach authorized. For inop ALS increase S-LOC 8 Cat C/D visibility to 2 SM.		

D-ATIS <b>127.575</b>	PHOENIX APP CON <b>128.65 353.9</b>	PHOENIX TOWER <b>118.7 278.8</b> (Rwy 8-26) <b>120.9 254.3</b> (Rwy 7L-25R, 7R-25L)	GND CON <b>119.75 269.2</b> (N) <b>132.55 269.2</b> (S)	CLNC DEL <b>118.1 269.2</b>	CPDLC
--------------------------	--	---	---	--------------------------------	-------



ELEV 1135	<b>D</b>	TDZE 1118
-----------	----------	-----------



GS 3.00° TCH 55	3.6 NM	3.6 NM	3.7 NM	2.1 NM
CATEGORY	A	B	C	D
S-ILS 8	1368- <sup>3</sup> / <sub>4</sub>		250 (300- <sup>3</sup> / <sub>4</sub> )	
S-LOC 8	1860- <sup>3</sup> / <sub>4</sub> 742 (800- <sup>3</sup> / <sub>4</sub> )	1860-1 742 (800-1)	1860-1 <sup>7</sup> / <sub>8</sub> 742 (800-1 <sup>7</sup> / <sub>8</sub> )	2560-3
<b>C</b> CIRCLING	1860-1 725 (800-1)	1860-1 <sup>1</sup> / <sub>4</sub> 725 (800-1 <sup>1</sup> / <sub>4</sub> )	2040-2 <sup>3</sup> / <sub>4</sub> 905 (1000-2 <sup>3</sup> / <sub>4</sub> )	2560-3 1425 (1500-3)

SW-4, 22 FEB 2024 to 21 MAR 2024

SW-4, 22 FEB 2024 to 21 MAR 2024