

APP CRS	Rwy Idg	5004
172°	TDZE	1751
	Apt Elev	1754

RNAV (GPS) RWY 17

KIMBLE COUNTY (JCT)

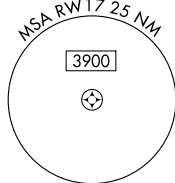
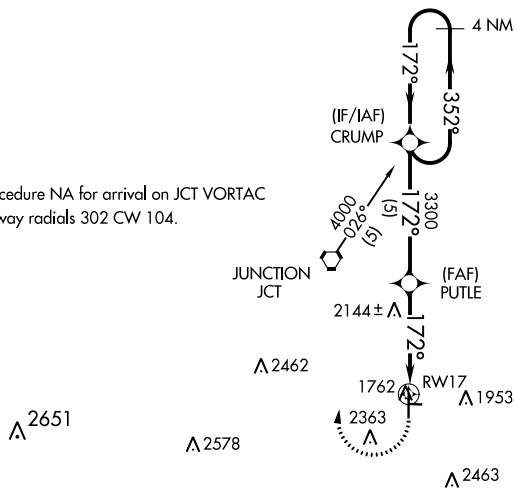
RNP APCH - GPS.

⚠ Circling NA to Rwy 8-26. Rwy 17 helicopter visibility reduction below 3/4 SM NA.

MISSED APPROACH: Climbing right turn to 4000 direct CRUMP WP and hold.

ASOS 119.275	HOUSTON CENTER 125.75 346.4	UNICOM 122.8 (CTAF) 1
------------------------	---------------------------------------	--

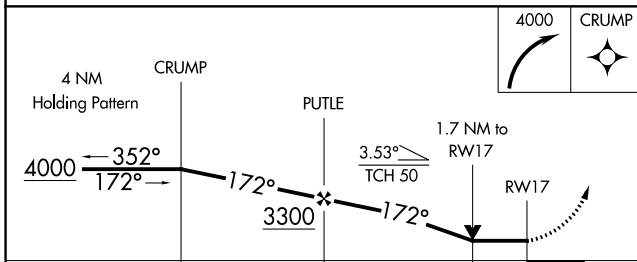
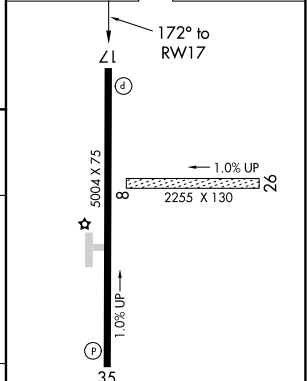
Procedure NA for arrival on JCT VORTAC airway radials 302 CW 104.



SC-3, 22 FEB 2024 to 21 MAR 2024

SC-3, 22 FEB 2024 to 21 MAR 2024

ELEV 1754	TDZE 1751
-----------	-----------



CATEGORY	A	B	C	D
LNVA MDA	2420-1	669 (700-1)	2420-1 3/4 669 (700-1 3/4)	NA
CIRCLING	2420-1 666 (700-1)	2680-1 1/4 926 (1000-1 1/4)	2780-3 1026 (1100-3)	NA

MRL Rwy 17-35 **1**