

WAAS CH 48902 W10A	APP CRS 096°	Rwy Idg TDZE Apt Elev	8424 7 65
--	------------------------	-----------------------------	--------------------------------------

RNAV (GPS) Z RWY 10L

FORT LAUDERDALE/HOLLYWOOD INTL (FLL)

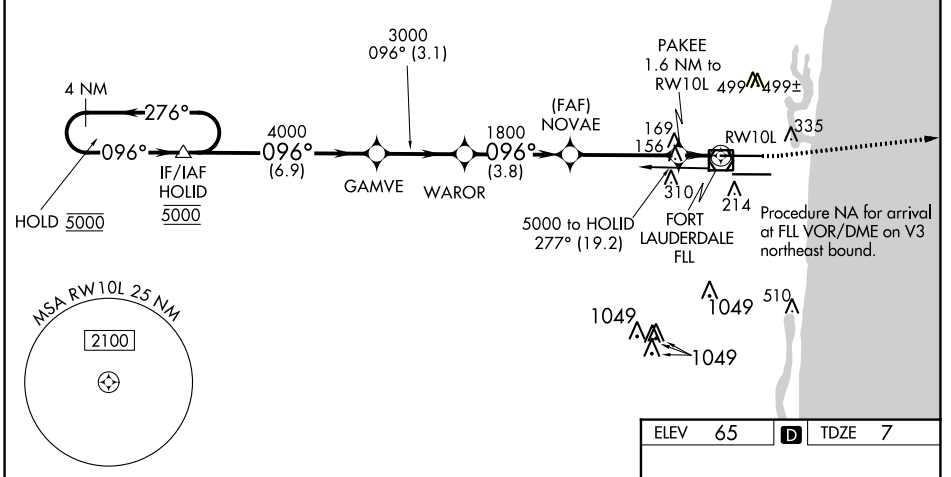
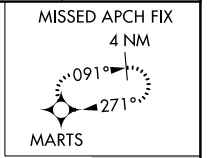
RNP APCH-GPS.

⚠ For uncompensated Baro-VNAV systems, LNAV/VNAV NA below 7°C or above 54°C. Inop table does not apply to LPV all Cats. LNAV procedure NA during simultaneous operations. For inop ALS, increase LNAV/VNAV visibility all Cats to 1½ SM, LNAV visibility Cat A and B to RVR 5500 and Cats C/D to RVR 6000. Use of FD or AP required during simultaneous operations. Simultaneous approach authorized.

MALS
AS

MISSED APPROACH: Climb to 800 then climbing left turn to 4000 direct MARTS and hold. Continue climb-in-hold to 4000.

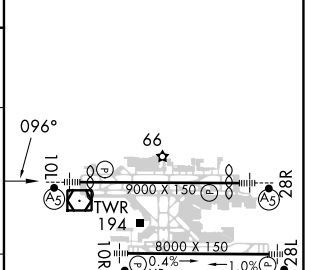
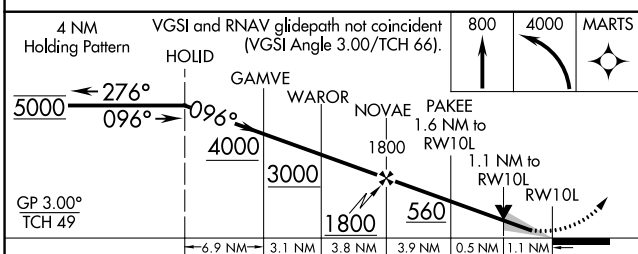
D-ATIS 135.0	MIAMI APP CON 133.775 285.6	FORT LAUDERDALE TOWER 119.3 257.8	GND CON 121.4	CLNC DEL 128.4	CPDLC
------------------------	---------------------------------------	--	-------------------------	--------------------------	-------



SE-3, 22 FEB 2024 to 21 MAR 2024

SE-3, 22 FEB 2024 to 21 MAR 2024

ELEV 65	D	TDZE 7
---------	----------	--------



CATEGORY	A	B	C	D
LPV DA	207/24		200 (200-½)	
LNAV/VNAV DA	495/50		488 (500-1)	
LNAV MDA	420/24	413 (400-½)	420/40	413 (400-¾)
C CIRCLING	680-1	615 (700-1)	800-2 735 (800-2)	800-2¼ 735 (800-2¼)

HIRL Rwy 10L-28R and 10R-28L