

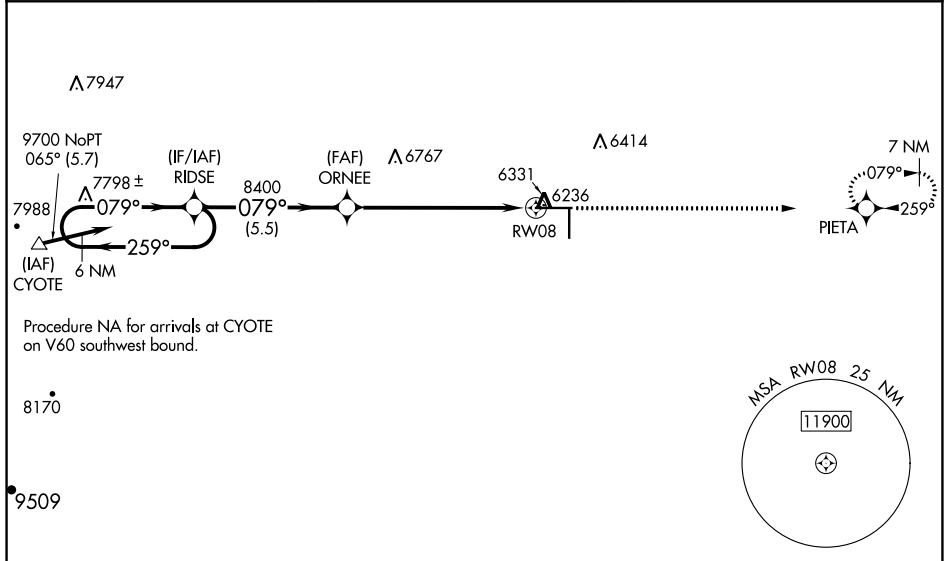
WAAS CH 86239 W08A	APP CRS 079°	Rwy Idg TDZE 6204 Apt Elev 6204	7702
--	------------------------	---	-------------

RNAV (GPS) RWY 8

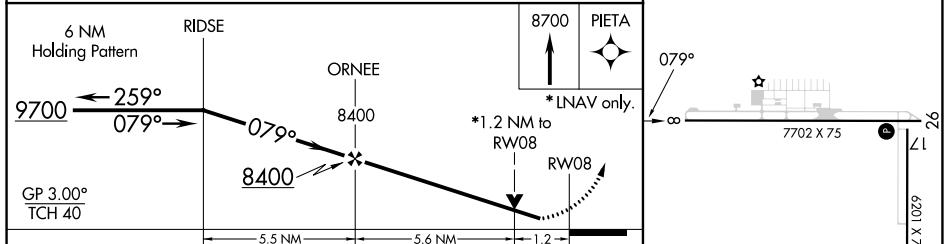
MORIARTY MUNI (ØEØ)

RNP APCH.	MISSED APPROACH: Climb to 8700 direct PIETA and hold.
▼ For uncompensated Baro-VNAV systems, LNAV/VNAV NA below -27°C or above 54°C. Circling Rwy 18 and 36 NA at night. Rwy 8 helicopter visibility reduction below ¾ SM NA.	

AWOS-3 118.05	ALBUQUERQUE CENTER 133.65 284.6	CTAF 122.9 0
-------------------------	---	------------------------



ELEV 6204	TDZE 6204
-----------	-----------



CATEGORY	A	B	C	D
LPV DA	6454-7/8	250 (300-7/8)		NA
LNAV/VNAV DA	6481-7/8	277 (300-7/8)		NA
LNAV MDA	6640-1	436 (500-1)	6640-1¼ 436 (500-1¼)	NA
CIRCLING	6660-1 456 (500-1)	6680-1 476 (500-1)	6780-1½ 576 (600-1½)	NA

MIRL Rwy 8-26 0

SW-1, 22 FEB 2024 to 21 MAR 2024

SW-1, 22 FEB 2024 to 21 MAR 2024